



## HiPace™ 2300, with TC 1200, DN 250 CF-F

**Powerful turbopump with a pumping speed of up to 1900 l/s**



Pfeiffer Vacuum · Headquarters/Germany

Tel. +49 (0) 6441 802-0 · Fax +49 (0) 6441 802-202 · [info@pfeiffer-vacuum.de](mailto:info@pfeiffer-vacuum.de) · [www.pfeiffer-vacuum.net](http://www.pfeiffer-vacuum.net)

## HiPace™ 2300, with TC 1200, DN 250 CF-F

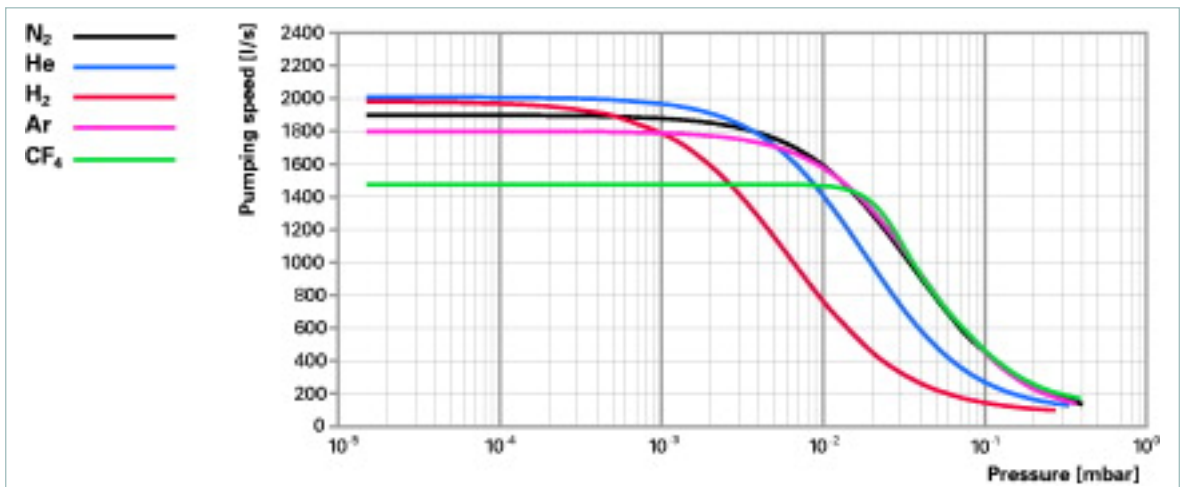
### HiPace™ 2300

Similar Image

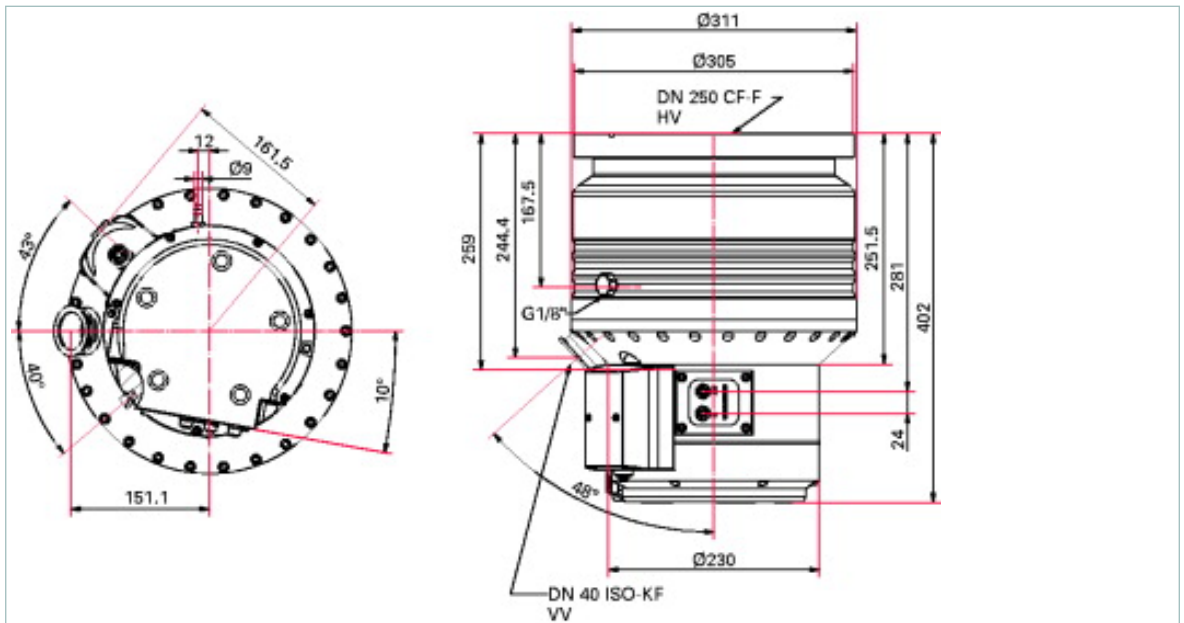


- ▶ Powerful turbopump with a pumping speed of up to 1900 l/s
- ▶ DN 250 CF-F flange
- ▶ Integrated TC 1200 drive electronics with power supply
- ▶ Integrated sealing gas system with electric sealing gas valve 24 V DC
- ▶ Cooling: Water cooling
- ▶ Protection Class IP 54

### Characteristics



### Dimensions



## HiPace™ 2300, with TC 1200, DN 250 CF-F

Technical Data	HiPace™ 2300, with TC 1200, DN 250 CF-F
Compression ratio for Ar	$> 1 \cdot 10^8$
Compression ratio for CF <sub>4</sub>	$> 1 \cdot 10^8$
Compression ratio for H <sub>2</sub>	$2 \cdot 10^4$
Compression ratio for He	$3 \cdot 10^5$
Compression ratio for N <sub>2</sub>	$> 1 \cdot 10^8$
Cooling method, standard	Water
Cooling water consumption	100 l/h
Cooling water temperature	15-35 °C
Flange (in)	DN 250 CF-F
Flange (out)	DN 40 ISO-KF
Fore Vacuum max. for N <sub>2</sub>	1.8 mbar
Gas throughput at full rotational speed for Ar	16 mbar l/s
Gas throughput at full rotational speed for CF <sub>4</sub>	14 mbar l/s
Gas throughput at full rotational speed for H <sub>2</sub>	$> 30$ mbar l/s
Gas throughput at full rotational speed for He	20 mbar l/s
Gas throughput at full rotational speed for N <sub>2</sub>	20 mbar l/s
Interfaces	RS-485, Remote
Permissible magnetic field max.	7 mT
Protection category	IP 54
Pumping speed for Ar	1850 l/s
Pumping speed for CF <sub>4</sub>	1450 l/s
Pumping speed for H <sub>2</sub>	1850 l/s
Pumping speed for He	2050 l/s
Pumping speed for N <sub>2</sub>	1900 l/s
Rotation speed $\pm 2\%$	31500 rpm
Run-up time	4 min
Sound pressure level	50 dB (A)
Ultimate pressure with OnTool™ DryPump	$< 5 \cdot 10^{-10}$ mbar
Venting connection	G 1/8"
Weight	47 kg

**Order number**

**PMP03922**

## HiPace™ 2300, with TC 1200, DN 250 CF-F

Accessories	HiPace™ 2300, with TC 1200, DN 250 CF-F
	PM061565-T
208 V AC mains cable with UL plug, NEMA-HAN 3A, 3 m	P4564309HB
24 V DC venting valve, G 1/8", for connection to TC 400 / 1200	PMZ01291
Accessories package for HPU - Power supply, software and PC cable	PM061005-T
Backing pump relay box, single phase 20 A, for TC 400 / 1200, TCP 350 and TM 3000	PM061375-T
Backing pump relay box, single phase 5 A, for TC 400 / 1200	PM061374-T
Connection cable, plug M12, RJ 45	PM051726-T
DCU 002, Display control unit	PM061348-T
Heating jacket for HiPace 1800/2300 with TC 1200, 208 V AC, UL plug	PM061564-T
Heating jacket for HiPace 1800/2300 with TC 1200, 230 V AC, Euro-style safety plug	PM061563-T
HPU 001, handheld programming unit	PM051510-T
Interface cable, 3 m, M 12	PM061283-T
Interface cable RS-485, 3 m, M12, straight, 90°	PM061791-T
Mains cable, 3 m with UL-plug (115 V AC)	PM061187-X
Mains cable 230 V AC, with Euro-style safety plug, VII-HAN 3A, 3 m	P4564309HA
Power supply socket	PM061200-T
Protection screen for Turbopumps with DN 250 CF-F flange	PM016345
Remote adapter for RS-485	PM061649-T
Remote plug, TC 400, with bridges	PM061378-X
Sealing gas throttle for HiPace 1200-2300	PMZ01318
Sealing gas valve for HiPace 1200-2300 with TC 1200	PMZ01313
Set of hexagon screws, 32 count, M8, DN 250 CF	PM016694-T
Set of stud screws, 32 count, M8, DN 250 CF	PM016695-T
Splinter screen for Turbopumps, DN 250 CF-F flange	PM016324
TTV 001, air drier for venting turbopumps	PMZ00121
TVV 001 fore-vacuum safety valve, 115 V AC	PMZ01206
TVV 001 fore-vacuum safety valve, 230 V AC	PMZ01205
USB converter to RS-485 interface	PM061207-T
Venting flange DN 10 KF-G1/8"	PM033737-T
Vibration damper for HiPace 1500 and HiPace 2300, DN 250 CF-F	PM006671-X
Y-Connector M12 for accessories	P4723012
Y-Connector M12 to RS-485	P4723010